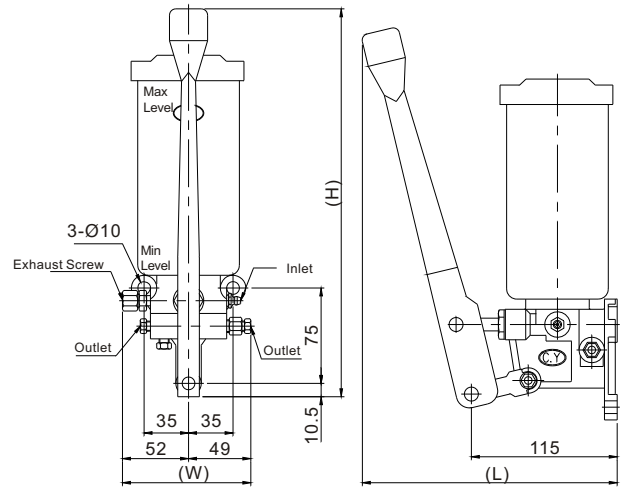




CLHA-35

CLHA-20

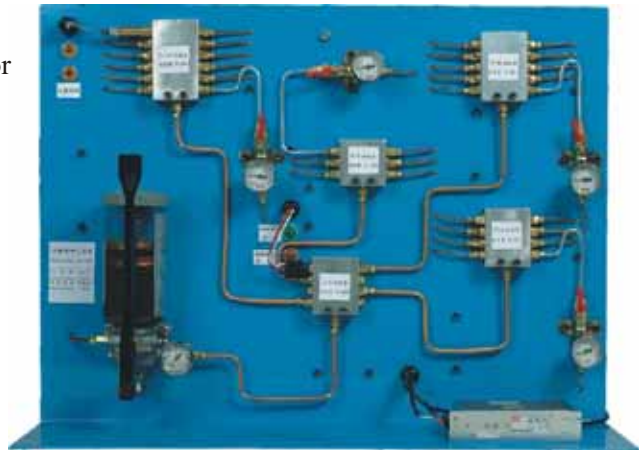


◆ Features

1. CLHA type has good tight pressing iron, which can press grease out smoothly.
2. Low cost, and high practicality.
3. Easy to be operated by pushing the handle down for oil feeding.
4. Small size and easy for installation.
5. CLHA type is suitable for grease NLGI grades 0 to 000, and CLHP type is suitable for grease NLGI grades 0 to 2.
6. Recommend using a grease gun for filling with lubricant from grease inlet. It can avoid air or impurities dropping into the reservoir.
7. Fill the lubricator with grease to exhaust air before the distributors are mounted.

◆ Application of Machines Equipment

1. It is suitable for the machinery that does not need to feed oil at certain time.
2. It usually works with press, woodworking or thermal treatment machinery.



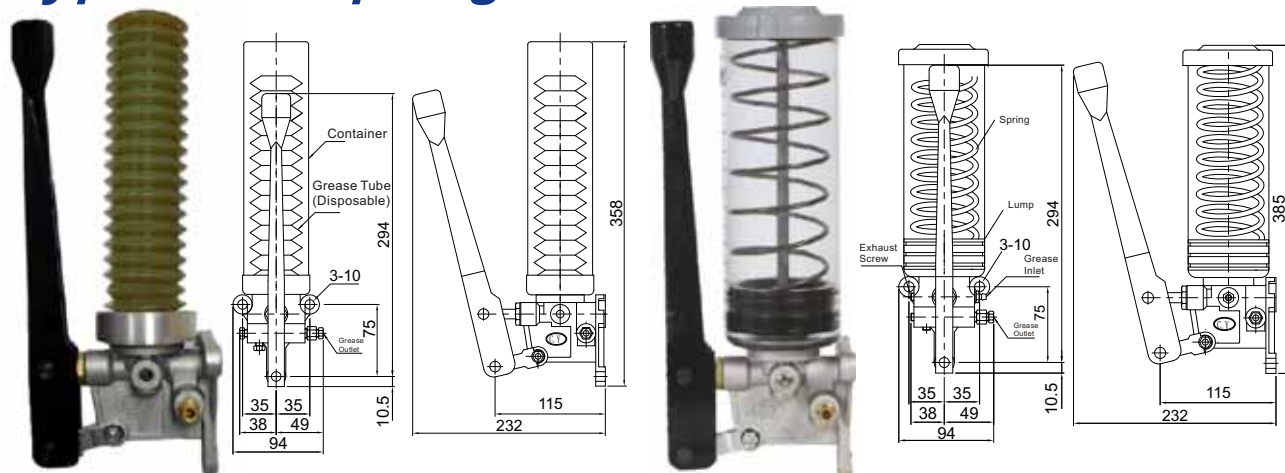
The Piping of CLHA Type Grease Lubrication System

Model	Capacity Liters	Max Volume	Max Pressure	Discharge Bore	Viscosity	Fixed Hole Distance(mm)	Length (mm)	Width (mm)	Height (mm)	Weight (kg)
CLHA-10	300cc	2cc/stroke	100kgf/cm ²	Ø4 Ø6 Ø8 PT1/8	Grease NLGI grades 0 to 000	70	232	103	315	1.08
CLHA-20	600cc					70		103	315	1.14
CLHA-35	1000cc					70,75		106	345	2.20
CLHA-40	800cc					70		106	325	1.39
CLHA-50	2000cc					70,75		120	390	2.09

◆ Order Code :

CLH	A	20	R	D	1	✳
<hr style="width: 100%;"/>						
Grease Manual Lubricator	Tank Capacity	Outlet	Outlet Connector	Discharge Bore	Special Request	
	10 : 300cc	L : Left Hand Outlet	H : Elbow Adapter	0 : Ø4		
	20 : 600cc	R : Right Hand Outlet	D : Straight Adapter	1 : Ø6		
	35 : 1000cc	D : Dual Outlet	B : Block	2 : Ø4 (With Pressure Gauge)		
	40 : 800cc	T : Three Outlets		3 : Ø6 (With Pressure Gauge)		
	50 : 2000cc	F : Four Outlets		4 : Ø8		
				5 : Ø8 (With Pressure Gauge)		
				6 : PT1/8		
				7 : PT1/8 (With Pressure Gauge)		

CLHA-25 Type Grease Tube, CLHP-40 Type Hard Spring Manual Lubricator



CLHA-25 CLHA-25 Type Standards Externals

CLHP-40

CLHP-40 Type Standards Externals

◆ Features

1. CLHA-25 type works with disposable grease tube (400 cc) that is more convenient for cleaning and easy operating. The disposable grease tube is not included but can be purchased as optional.
2. Chen Ying manual grease type lubricator can easily be operated by pushing the handle down for grease feeding repeatedly.
3. Manual grease type lubricator is small and easy for installation.
4. CHLA-25 can work with disposable grease tube (400cc) or with iron reservoir as optional.
5. The standard grease tube thread of CLHA-25 is M15 x P2.5 with reservoir cover and thread M15 x P2.0 is also available on request.
6. CLHP-40 has a hard spring inside that is suitable for NLGI grades 000 to 2.
7. Recommend using a grease gun for filling with lubricant from grease inlet. It can avoid air or impurities dropping into the reservoir.

◆ Application of Machines Equipment

1. It is suitable for the machinery that does not need to feed grease at certain time.
2. It usually works with press, wood working or thermal treatment machinery.

Model	Capacity	Max Volume	Max Pressure	Discharge Bore	Remark
CLHA-25	Grease Tube 400g	2 cc/stroke	100kf/cm ²	Ø4	Grease Tube Thread A : M15xP2.5 B : M15xP2.0
CLHP-40	650cc			Ø6 Ø8 PT1/8	

Model	Fixed Hole Distance(mm)	Length(mm)	Width(mm)	Height(mm)	Weight(kg)
CLHA-25	70mm	232	94	358	1.25
CLHP-40		232	94	325	1.35

◆ Order Code :

CLHA

25

R

1

⊗

Grease Manual
Lubricator

Grease Tube
25 : 400g

Outlet
L : Left Hand Outlet
R : Right Hand Outlet
D : Dual Outlet
T : Three Outlets
F : Four Outlets

Discharge Bore
0 : Ø4
1 : Ø6
2 : Ø4 (With Pressure Gauge)
3 : Ø6 (With Pressure Gauge)
4 : Ø8
5 : Ø8 (With Pressure Gauge)
6 : PT1/8
7 : PT1/8 (With Pressure Gauge)

T : Grease Tube Included
I : Iron Reservoir

◆ Order Code :

CLHP

40

R

1

⊗

Grease Manual Lubricator
P : With Hard Spring
Viscosity NLGI 000~2

Effective Capacity
40 : 650cc

Outlet
L : Left Hand Outlet
R : Right Hand Outlet
D : Dual Outlet
T : Three Outlets
F : Four Outlets

Discharge Bore
0 : Ø4
1 : Ø6
2 : Ø4 (With Pressure Gauge)
3 : Ø6 (With Pressure Gauge)
4 : Ø8
5 : Ø8 (With Pressure Gauge)
6 : PT1/8
7 : PT1/8 (With Pressure Gauge)

Special Request